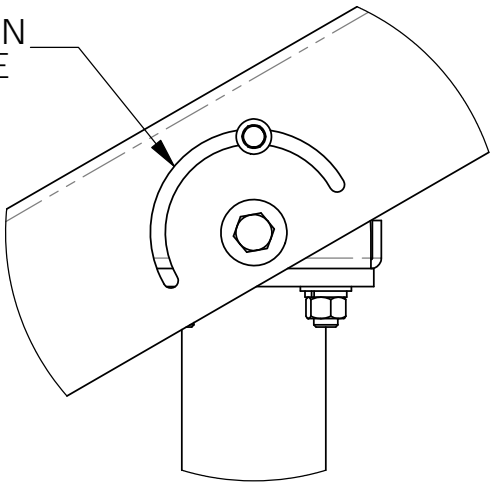
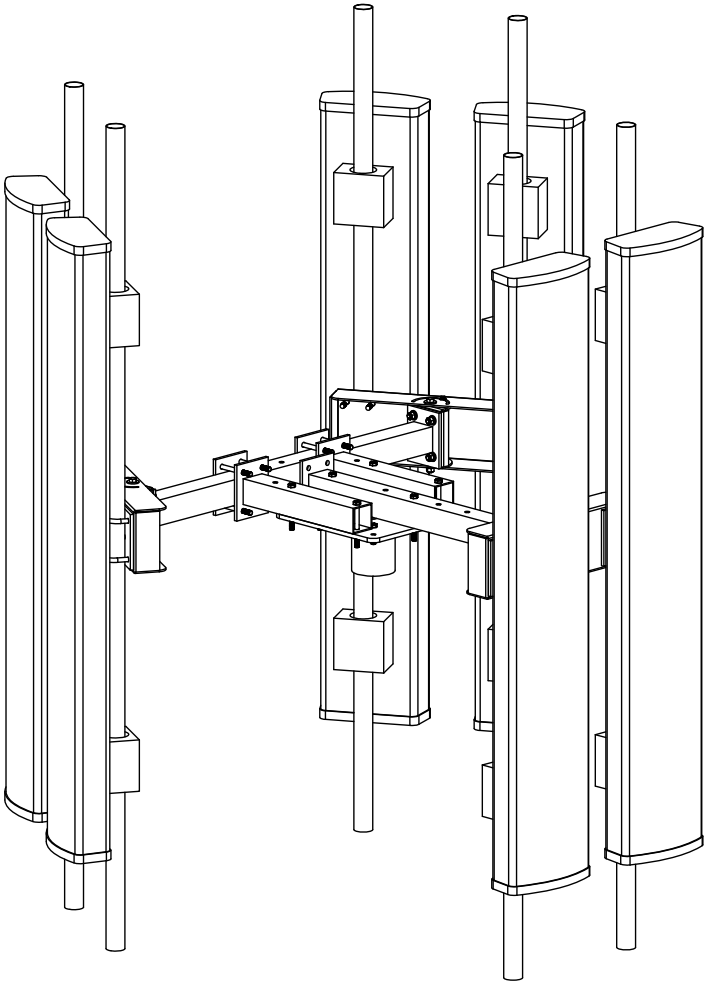
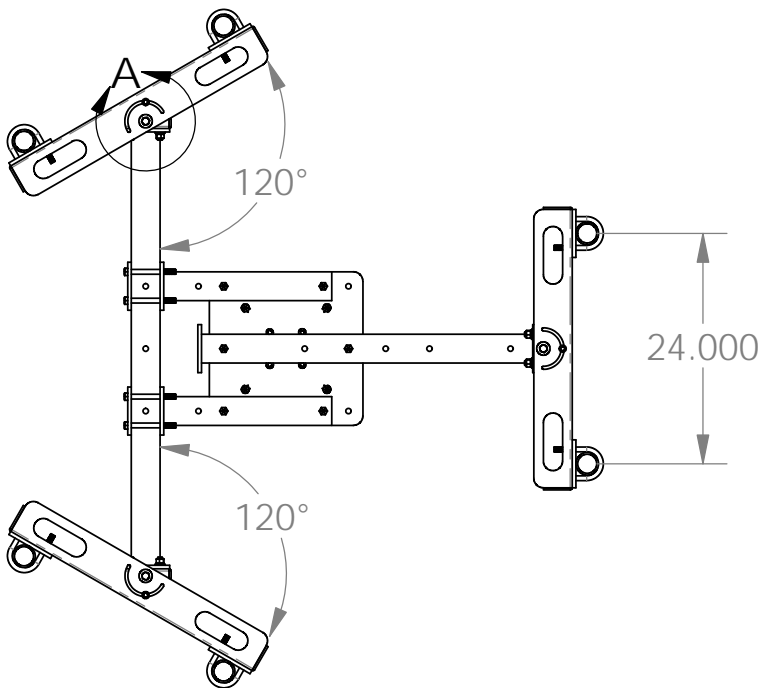


NAME: Double Antenna Kit 24" Centers Assy
DWG: S064633
MDT 11/19/2020

180° ROTATION
ALLOWANCE



DETAIL A
SCALE 1 : 4



**** PROPRIETARY AND CONFIDENTIAL ****
Copyright © 2022 & Present Sun West Engineering, Inc.
THIS PROPOSAL CONTAINS TRADE SECRETS AND
OTHER PROPRIETARY AND CONFIDENTIAL
INFORMATION OF SUN WEST ENGINEERING, INC.
THIS DOCUMENTS AND IT'S CONTENTS, INCLUDING
WITHOUT LIMITATION THE DRAWINGS AND OTHER
INFORMATION HEREIN, ARE THE SOLE AND EXCLUSIVE
PROPERTY OF SUN WEST ENGINEERING, INC.
ANY DUPLICATION, DISCLOSURE, OR USE OF ANY
PORTION OF THIS DOCUMENT REQUIRES THE PRIOR
WRITTEN CONSENT OF SUN WEST ENGINEERING, INC