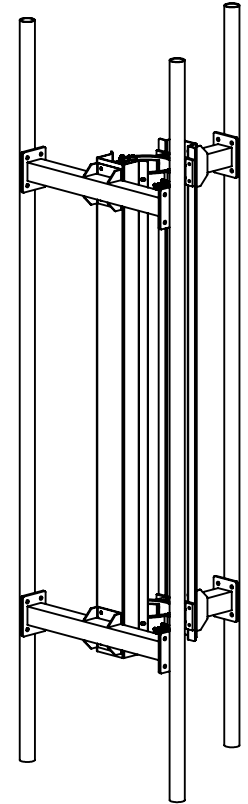
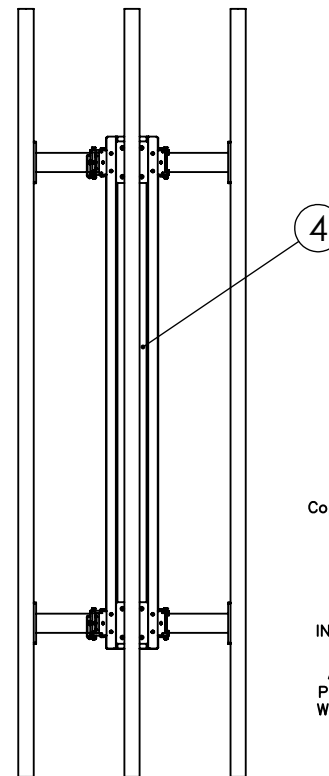
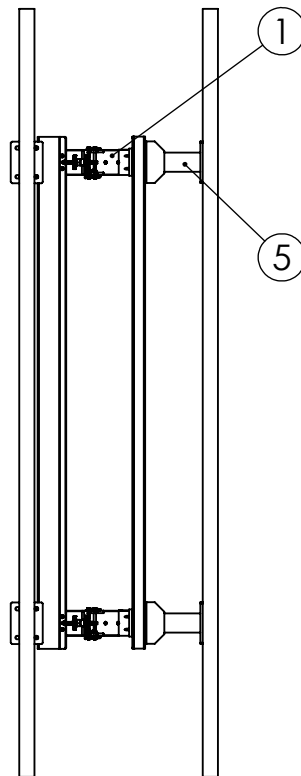
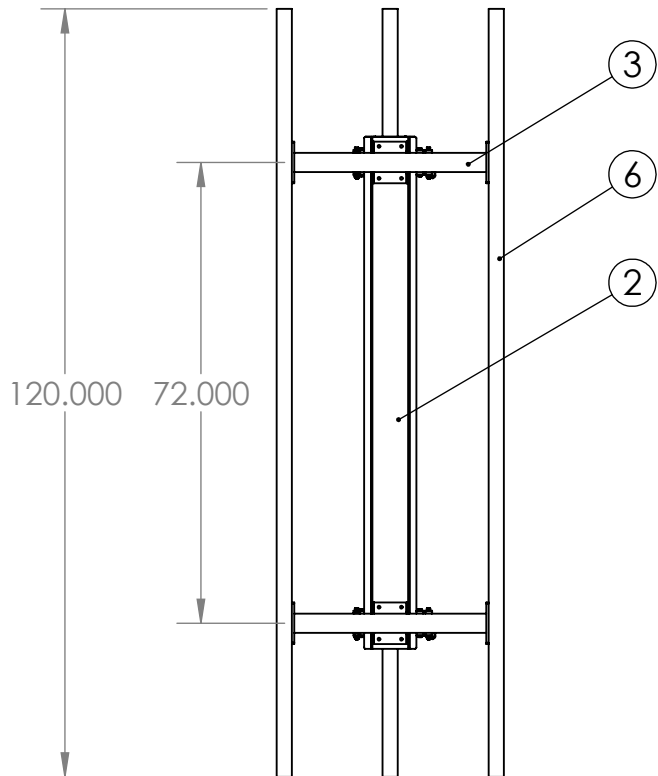
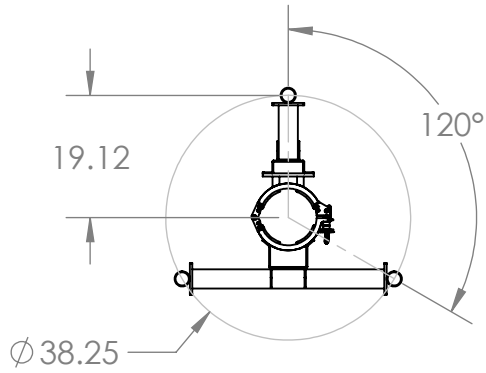


ITEM NO.	PART NUMBER	DESCRIPTION	QTY.
1	WB 8.5 Mast Clamp		2
2	S111460	Rear Antenna Mounting Bracket	1
3	S111464	Rear Antenna Arm Weldment	2
4	S111465	Front Antenna Mounting Bracket	1
5	S111468	Front Antenna Arm Weldment	2
6	S111469	Antenna Mounting Pipe	3

NAME: 10' Antenna Mounting Array  
 DWG: S111470  
 AJP 8/4/2022



**\*\* PROPRIETARY AND CONFIDENTIAL \*\***  
 Copyright © 2022 & Present Sun West Engineering, Inc.  
 THIS PROPOSAL CONTAINS TRADE SECRETS AND  
 OTHER PROPRIETARY AND CONFIDENTIAL  
 INFORMATION OF SUN WEST ENGINEERING, INC.  
 THIS DOCUMENTS AND IT'S CONTENTS, INCLUDING  
 WITHOUT LIMITATION THE DRAWINGS AND OTHER  
 INFORMATION HEREIN, ARE THE SOLE AND EXCLUSIVE  
 PROPERTY OF SUN WEST ENGINEERING, INC.  
 ANY DUPLICATION, DISCLOSURE, OR USE OF ANY  
 PORTION OF THIS DOCUMENT REQUIRES THE PRIOR  
 WRITTEN CONSENT OF SUN WEST ENGINEERING, INC