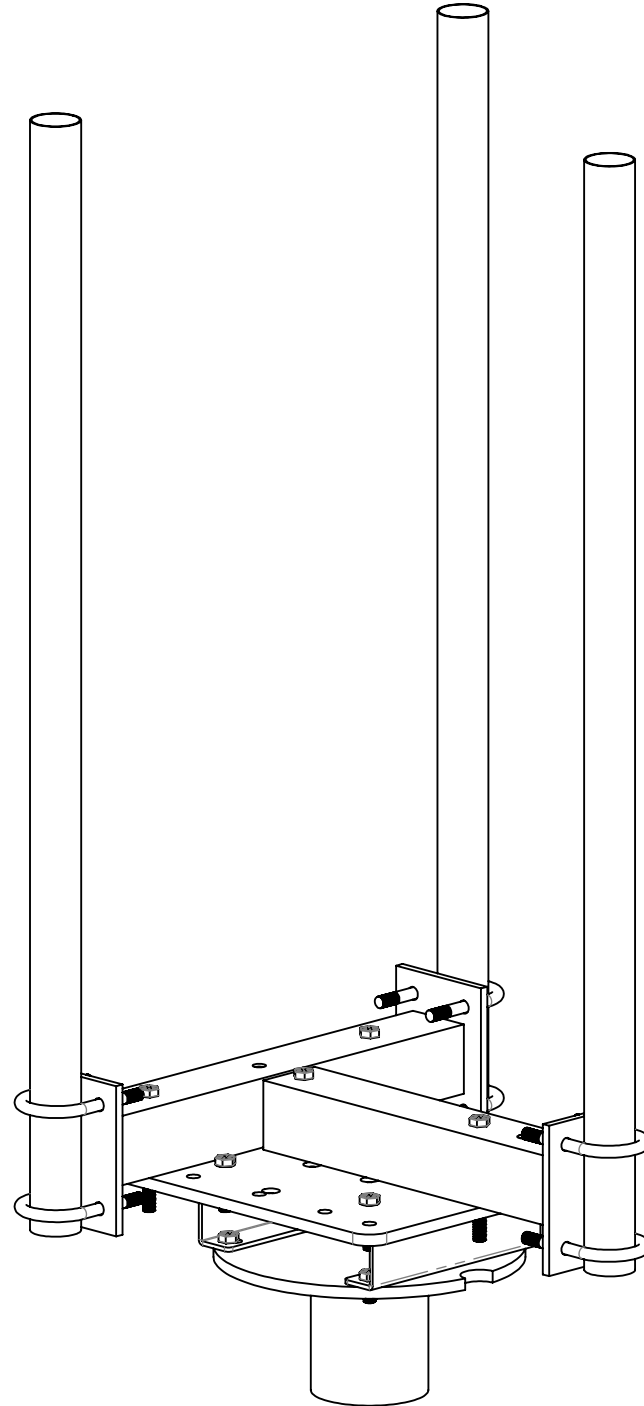


**** PROPRIETARY AND CONFIDENTIAL ****
 Copyright © 2014 Sun West Engineering, Inc.
 THIS PROPOSAL CONTAINS TRADE SECRETS AND OTHER PROPRIETARY AND CONFIDENTIAL INFORMATION OF SUN WEST ENGINEERING, INC.
 THIS DOCUMENTS AND IT'S CONTENTS, INCLUDING WITHOUT LIMITATION THE DRAWINGS AND OTHER INFORMATION HEREIN, ARE THE SOLE AND EXCLUSIVE PROPERTY OF SUN WEST ENGINEERING, INC.
 ANY DUPLICATION, DISCLOSURE, OR USE OF ANY PORTION OF THIS DOCUMENT REQUIRES THE PRIOR WRITTEN CONSENT OF SUN WEST ENGINEERING, INC

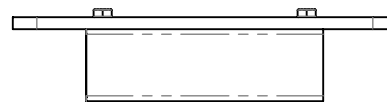
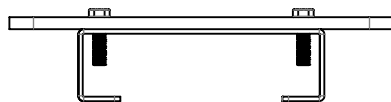
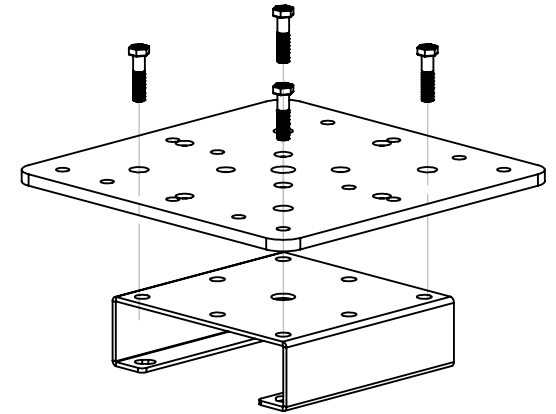
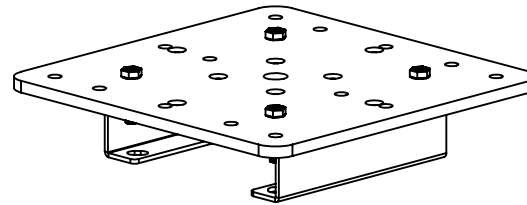
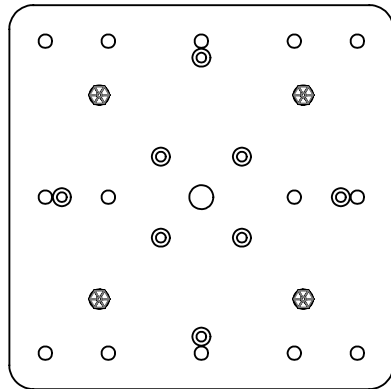


SUN WEST ENGINEERING, INC.
 3802 E. BROADWAY, PHOENIX, AZ. 85040 (602) 275-0662

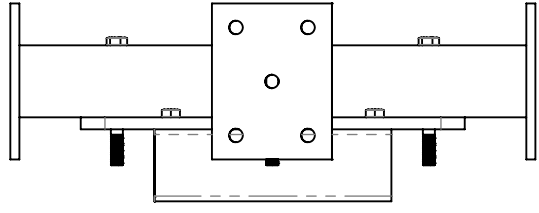
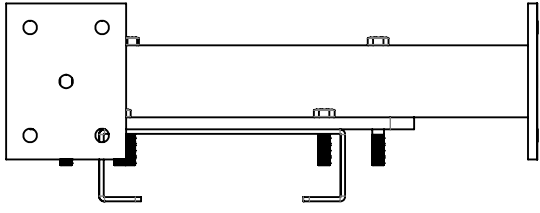
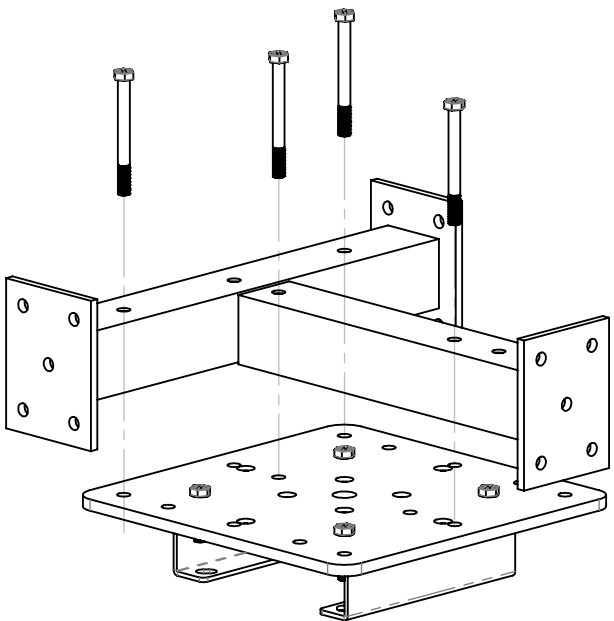
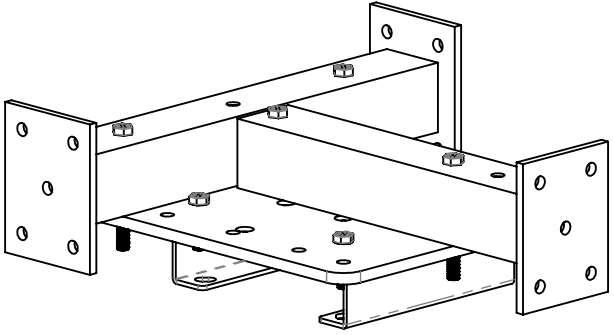
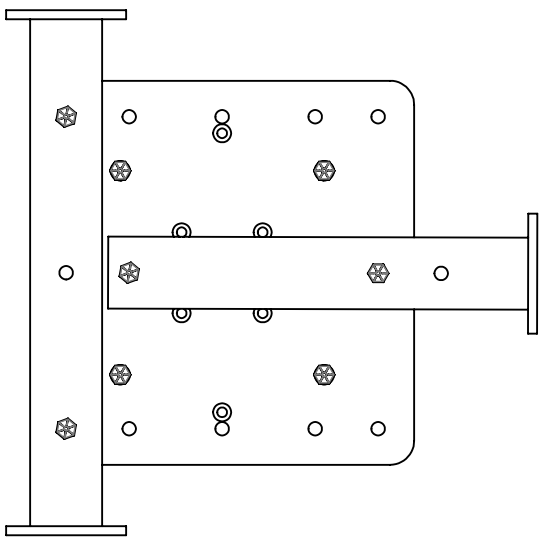
ASSEMBLY INSTRUCTIONS



STEP 1



STEP 2



STEP 3

