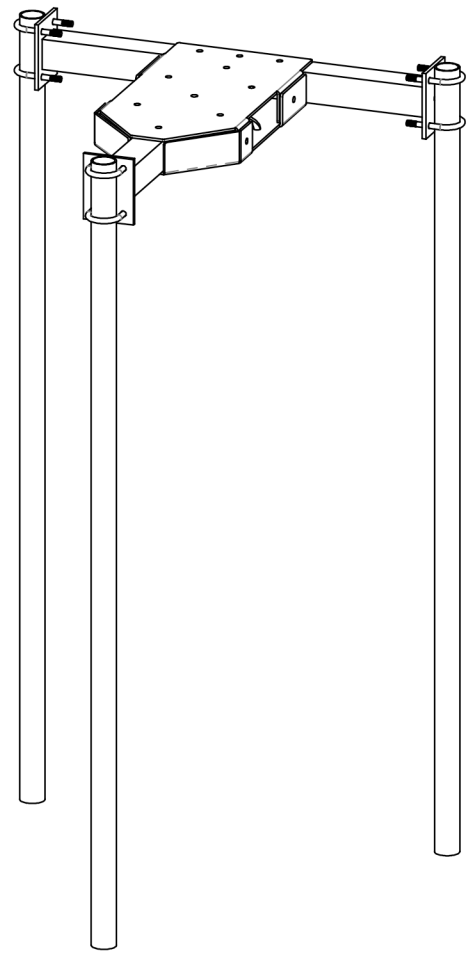
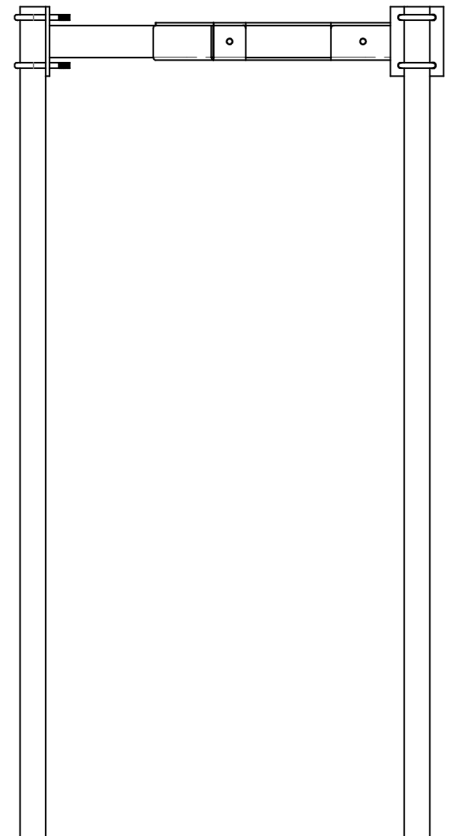
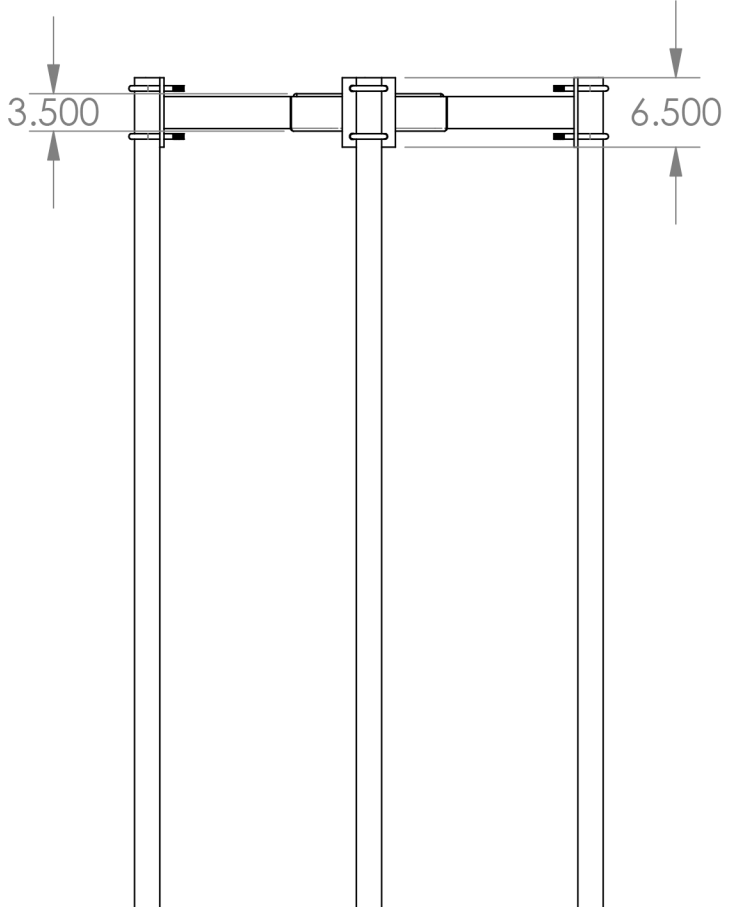
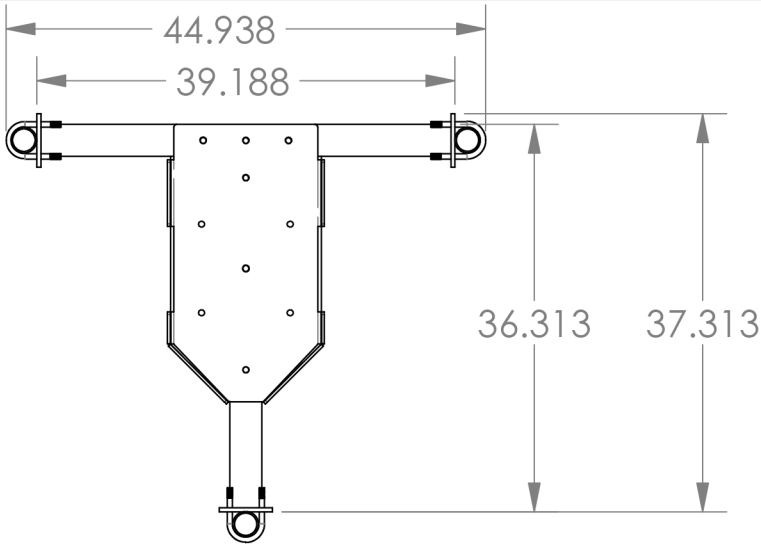


NAME: 3-SECTOR ANTENNA MOUNT  
DWG: S068991  
MDT 6/22/2023



**\*\* PROPRIETARY AND CONFIDENTIAL \*\***  
Copyright © 2023 & Present Sun West Engineering, Inc.  
THIS PROPOSAL CONTAINS TRADE SECRETS AND  
OTHER PROPRIETARY AND CONFIDENTIAL  
INFORMATION OF SUN WEST ENGINEERING, INC.  
THIS DOCUMENTS AND IT'S CONTENTS, INCLUDING  
WITHOUT LIMITATION THE DRAWINGS AND OTHER  
INFORMATION HEREIN, ARE THE SOLE AND EXCLUSIVE  
PROPERTY OF SUN WEST ENGINEERING, INC.  
ANY DUPLICATION, DISCLOSURE, OR USE OF ANY  
PORTION OF THIS DOCUMENT REQUIRES THE PRIOR  
WRITTEN CONSENT OF SUN WEST ENGINEERING, INC