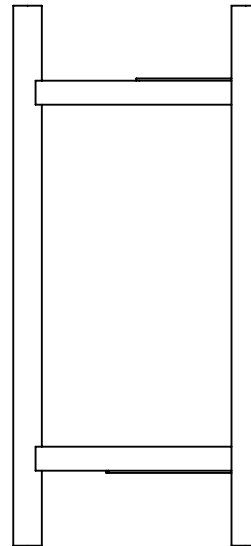
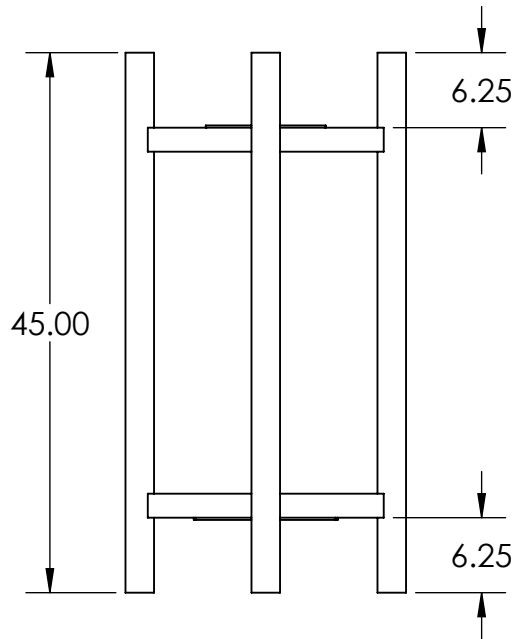
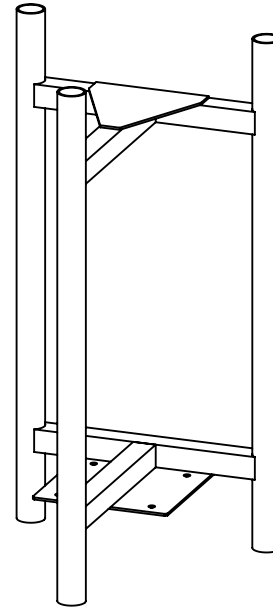
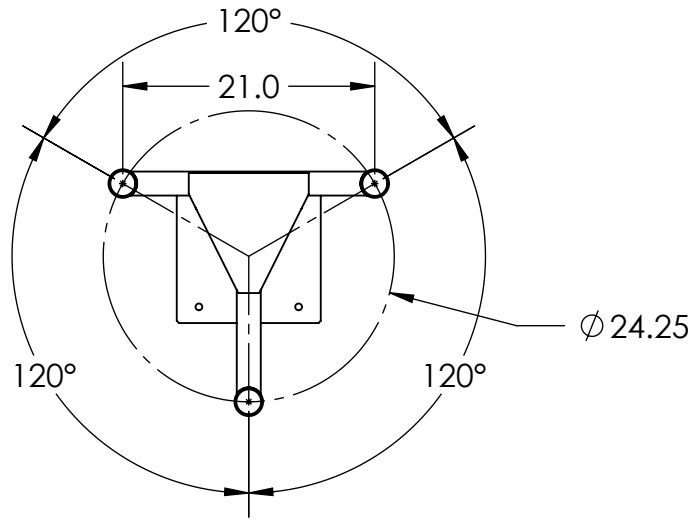


NAME: 3-Sector Ant Mount
DWG: S074327
AGT 5/20/2019



**** PROPRIETARY AND CONFIDENTIAL ****
Copyright © 2025 & Present Sun West Engineering, Inc.
THIS PROPOSAL CONTAINS TRADE SECRETS AND
OTHER PROPRIETARY AND CONFIDENTIAL
INFORMATION OF SUN WEST ENGINEERING, INC.

THIS DOCUMENT AND ITS CONTENTS, INCLUDING
WITHOUT LIMITATION THE DRAWING AND OTHER
INFORMATION HEREIN, ARE THE SOLE AND EXCLUSIVE
PROPERTY OF SUN WEST ENGINEERING, INC.

ANY DUPLICATION, DISCLOSURE OR USE OF ANY
PORTION OF THIS DOCUMENT REQUIRES THE PRIOR
WRITTEN CONSENT OF SUN WEST ENGINEERING, INC.