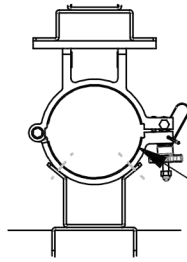
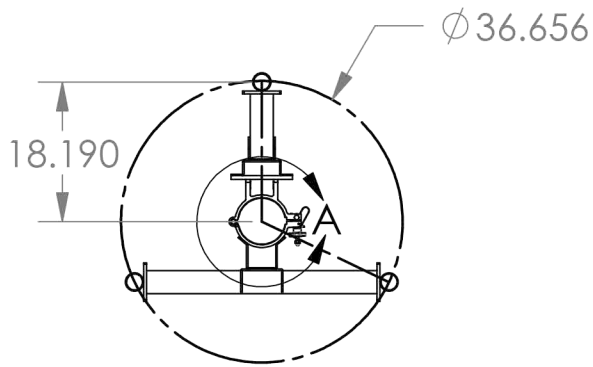
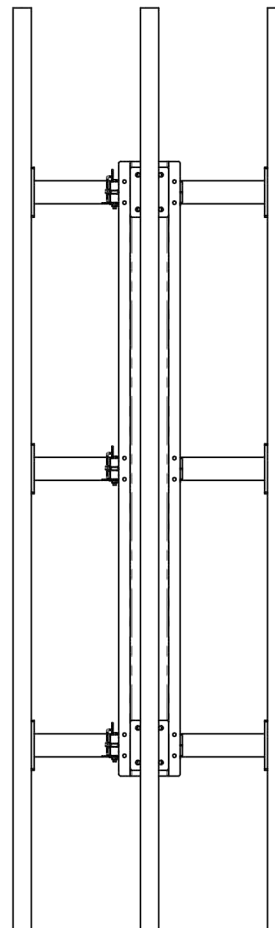
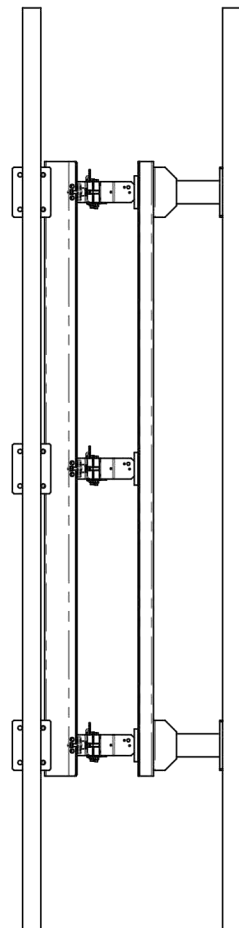
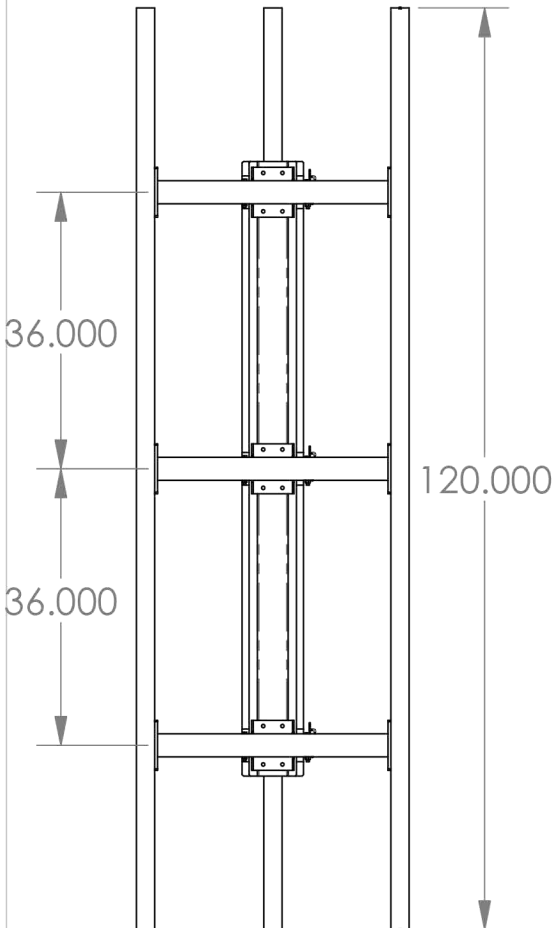
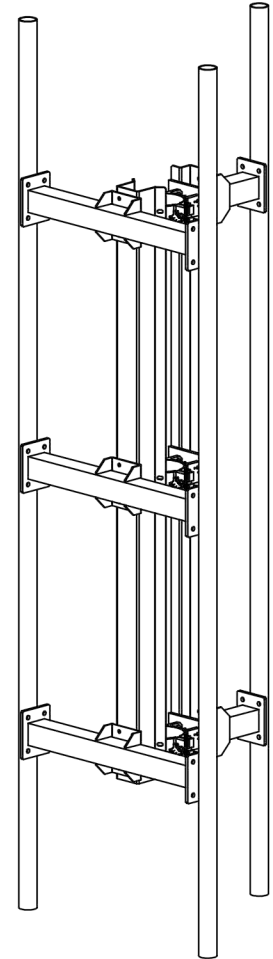


NAME: 10' Antenna Mounting Array w/ Ø6 & Ø5.25" Clamp  
 DWG: SW-6551-A  
 MDT 5/14/2024



Setup will work for  
 Ø5.25" & Ø6.00" Clamp

DETAIL A  
 SCALE 2 : 25



**\*\* PROPRIETARY AND CONFIDENTIAL \*\***  
 Copyright © 2026 & Present Sun West Engineering, Inc.  
 THIS PROPOSAL CONTAINS TRADE SECRETS AND  
 OTHER PROPRIETARY AND CONFIDENTIAL  
 INFORMATION OF SUN WEST ENGINEERING, INC.  
 THIS DOCUMENTS AND IT'S CONTENTS, INCLUDING  
 WITHOUT LIMITATION THE DRAWINGS AND OTHER  
 INFORMATION HEREIN, ARE THE SOLE AND EXCLUSIVE  
 PROPERTY OF SUN WEST ENGINEERING, INC.  
 ANY DUPLICATION, DISCLOSURE, OR USE OF ANY  
 PORTION OF THIS DOCUMENT REQUIRES THE PRIOR  
 WRITTEN CONSENT OF SUN WEST ENGINEERING, INC